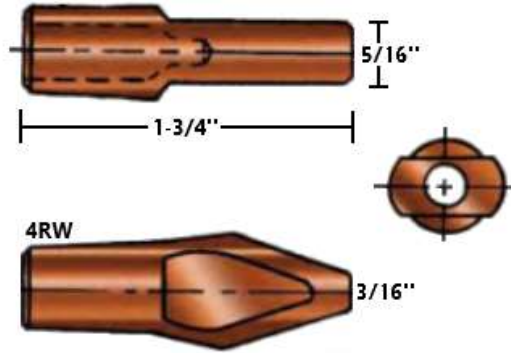


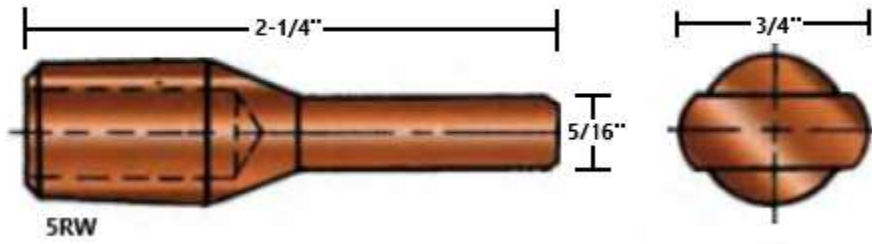
# IRREGULAR ELECTRODES

## Spaded electrodes

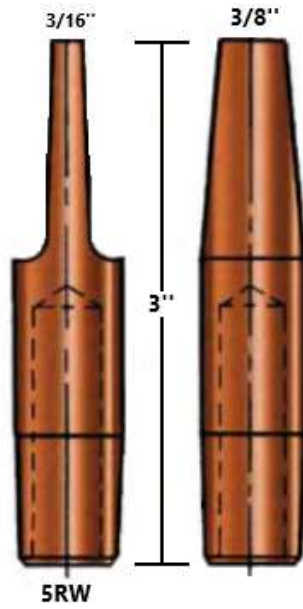
**K28**



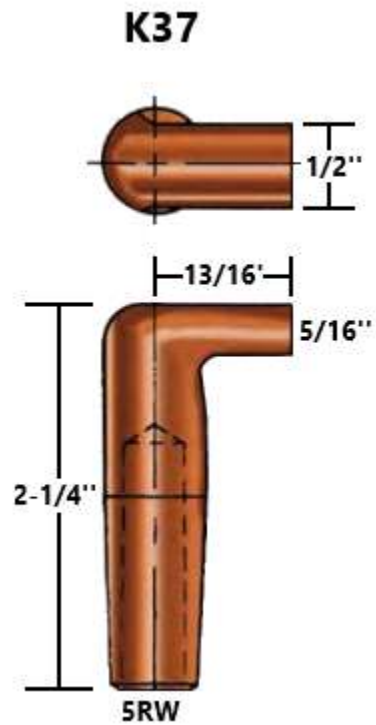
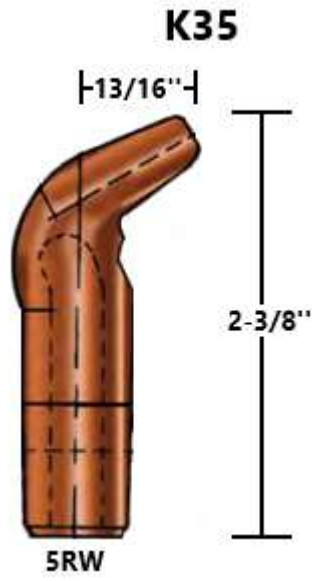
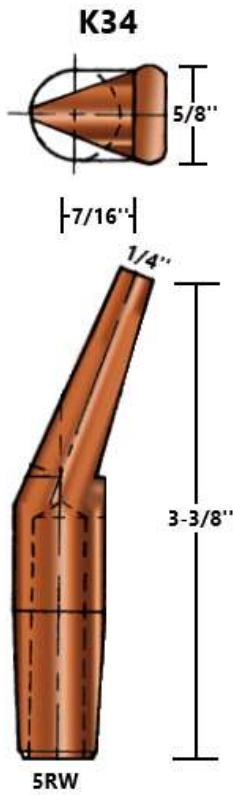
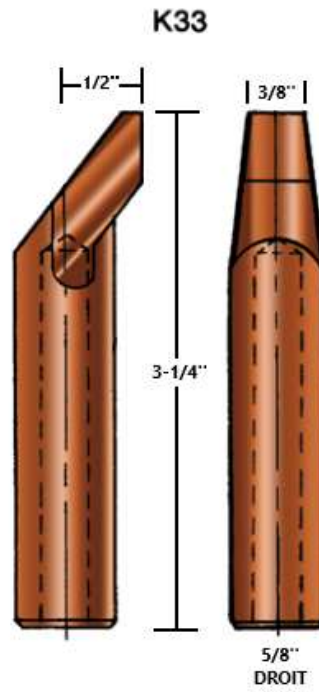
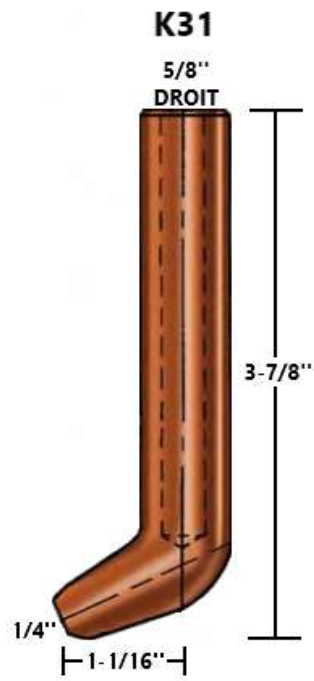
**K29**



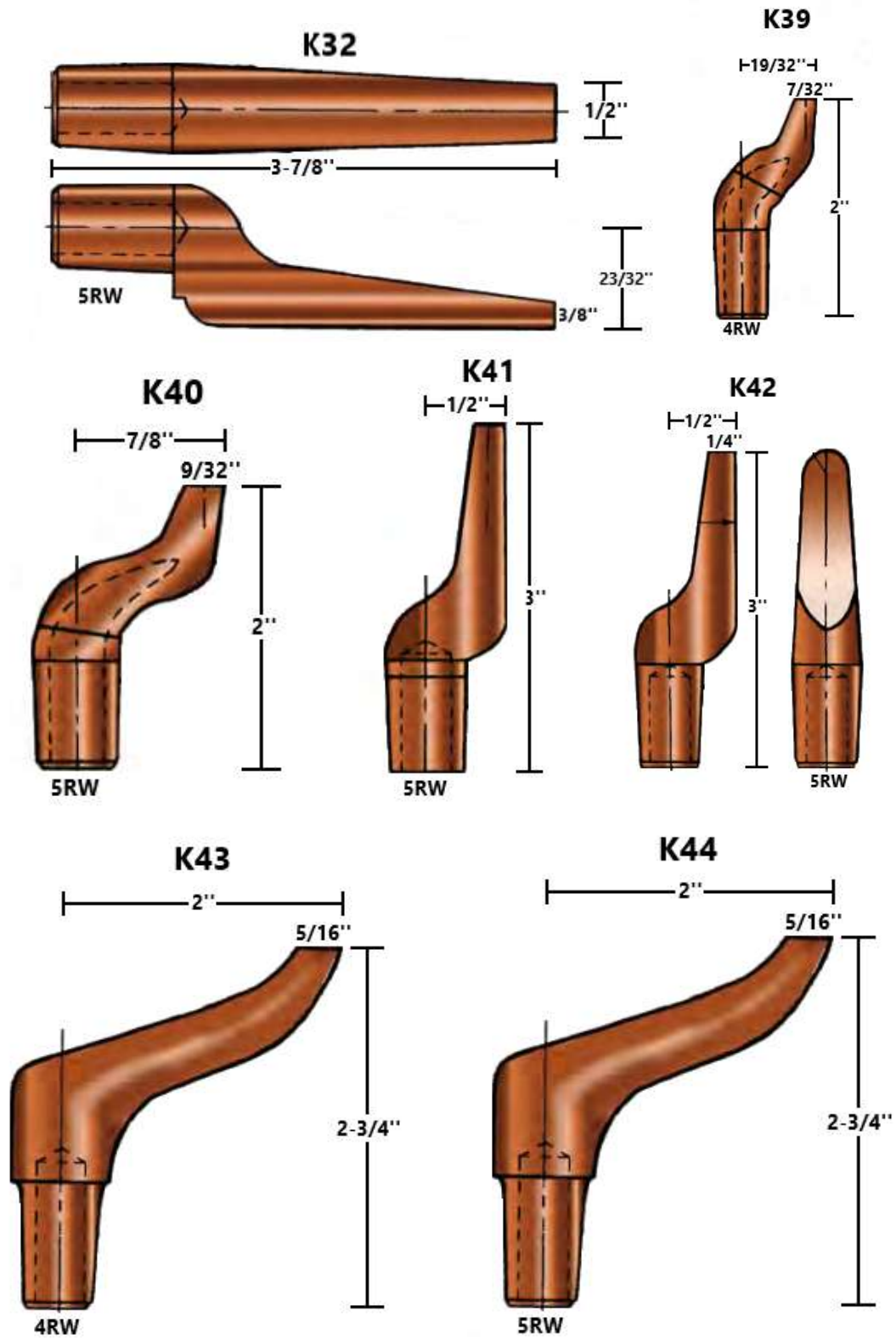
**K30**

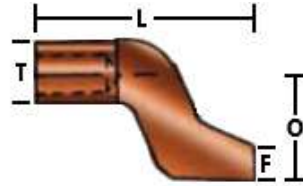


Irregular single bend electrodes

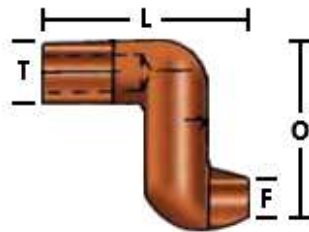


Irregular double bend electrodes

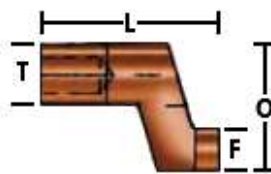




No	Longueur	Cône (taper)	Décalage	Diamètre face soudure
	L	T	O	F
K45	2"	4RW	19/32"	1/4"
K46	2"	5RW	7/8"	5/16"
K47	2-3/8"	7RW	7/8"	1/2"

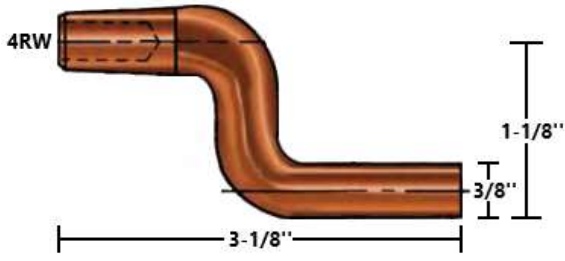


No	Longueur	Cône (taper)	Décalage	Diamètre face soudure
	L	T	O	F
K48	2"	4RW	1-1/4"	3/8"
K49	2-3/8"	4RW		3/8"
K50	2"	5RW		3/8"
K51	2-3/8"	5RW		3/8"
K52	2-3/8"	7RW		1/2"
K53	2-3/4"	7RW		1/2"

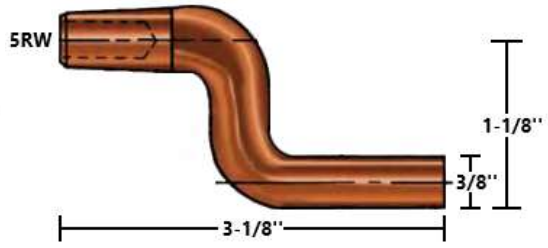


No	Longueur	Cône (taper)	Décalage	Diamètre face soudure
	L	T	O	F
K54	1-3/4"	4RW	25/32"	7/16"
K56	1-3/4"	5RW	25/32"	7/16"

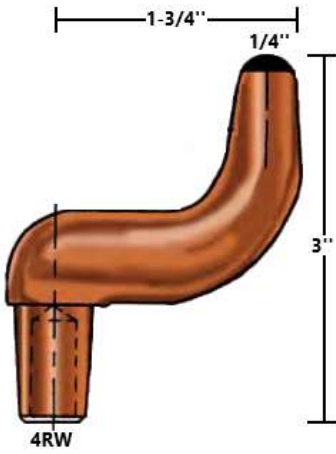
**K57**



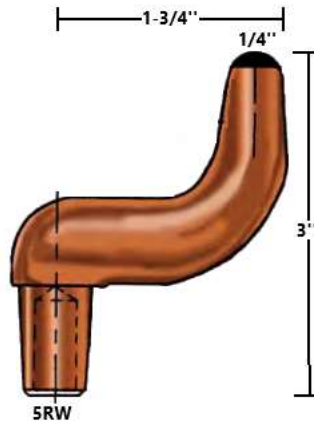
**K58**



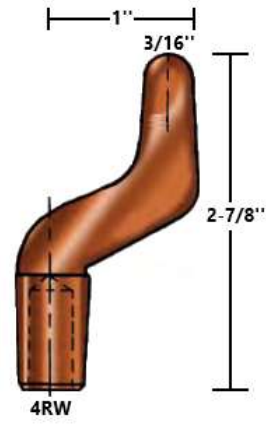
**K59**



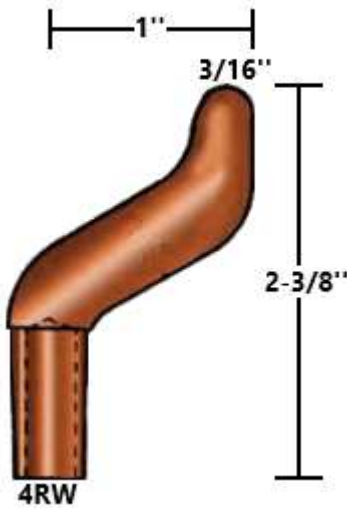
**K60**



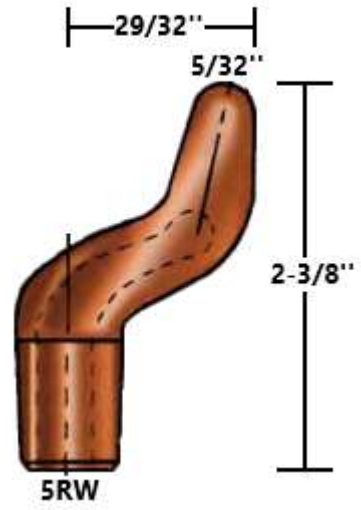
**K61**



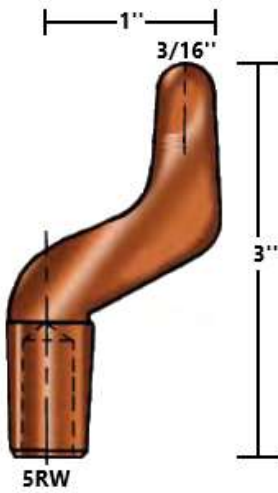
**K63**



**K65**



**K62**



Threaded irregular electrodes

