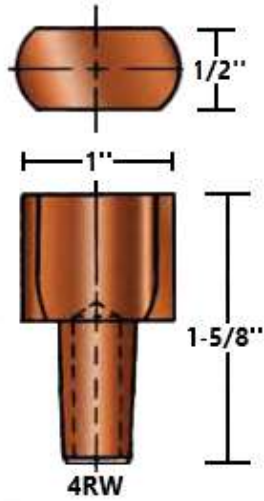


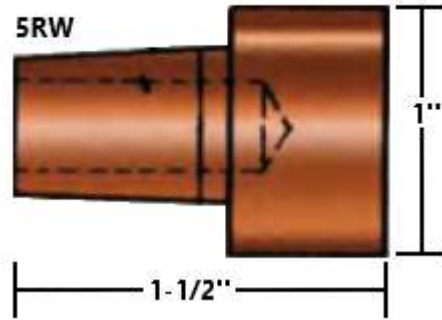
BACK-UP ELECTRODE

Round surface

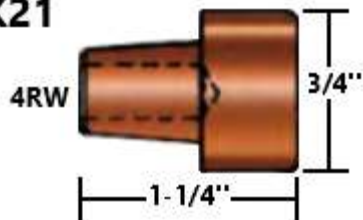
K19



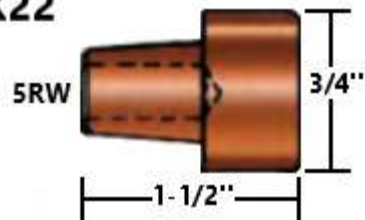
K20



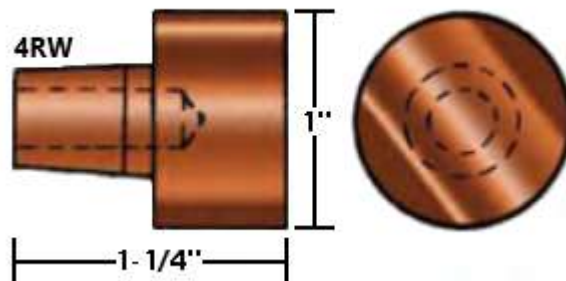
K21



K22



K23



Rectangular surface

